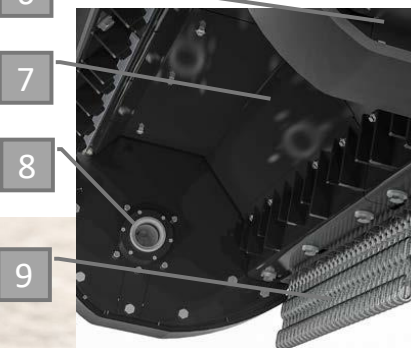
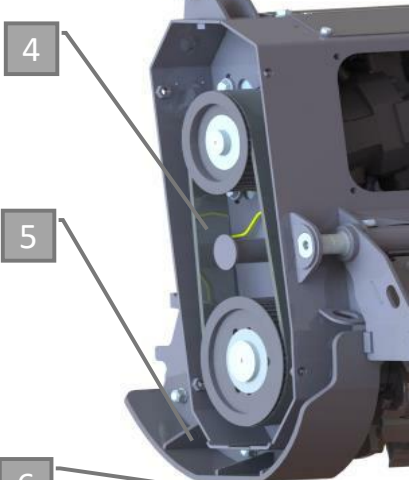
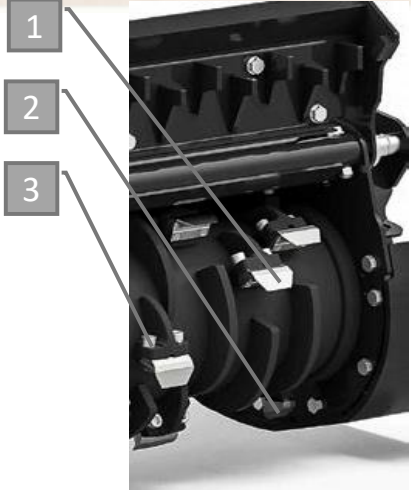






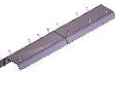





PRINOTH M450s-1900 BCS Rotor Common Parts Diagram



**COLUMBIA POINT
EQUIPMENT COMPANY INC.**
FOR REPLACEMENT PARTS
PLEASE CONTACT US AT
+ 1-541-561-5048 OR
SHOP PARTS ONLINE AT
WWW.COLUMBIAPOINTEQUIPMENT.COM
FORESTRY MULCHERS FOR PROFESSIONALS, BY PROFESSIONALS.™



Location	Part Number	Description	Package Quantity	Product image
1	46.BCS03	BCS Knife	24	
2	46.BCS02	BCS Carbide	20	
3	01.20.16040.C	BCS Tool Bolt M16x40	25	
4	50.11.1568.068	Cog Belt	1	
5	480.06.00.00.00	Skid Set (left and right)	1	
6	013.04.10.00	Loose Bearing (Opposite Motor side)	1	
7	480.08.00.02.00	Housing Liner set	1	
8	013.03.5.00	Fixed Bearing (Motor Side)	1	
9	480.09.00.02.00	Chain Guard set	1	
10	480.10.00.01.00	Door option	1	
11	CPEEC5	RECEIVE 5% off your first online order!	1	